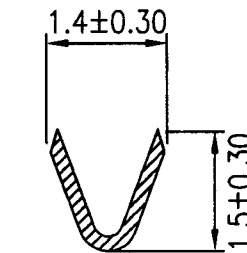
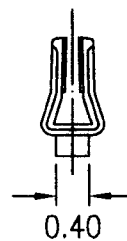
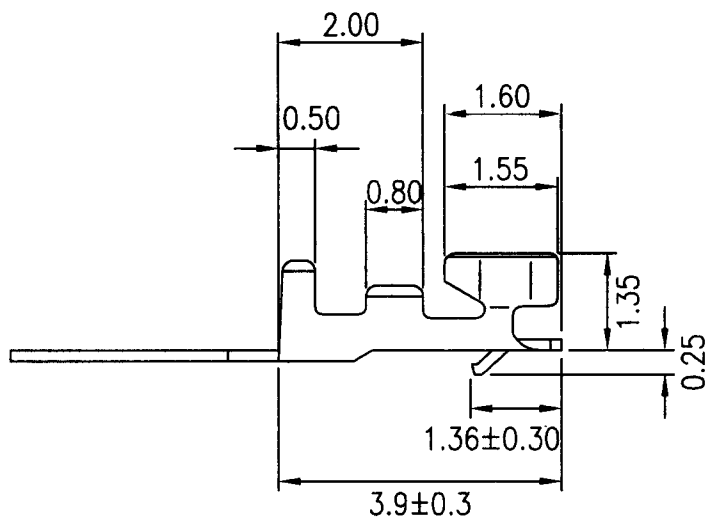
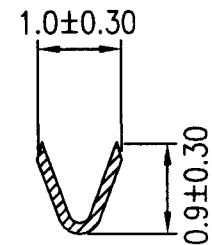


■ **TERMINAL**

- Part No: CT1001T
- Material: Phosphor bronze
- Thickness: 0.12mm
- Plating: Tin plated 60u" (先鍍後沖)
- Wire Range: Suitable for AWG#28~32
- Insulation O.D: 0.8mm (max)
- Q'TY: 15,000 pcs/roll
- Accepts housing : CH1001-XX, CH1002-2xXX



A-A SECTION



B-B SECTION

詮盛企業股份有限公司 CHIEN SHERN ENTERPRISES CO.,LTD.	TITLE	1.00 mm Pitch Crimp Terminal	TOLERANCE	DRAWN	DATE	2011.01.05
	PART NO.	CT1001T	DIM.	CHECK	DATE	
	DWG.NO.	CT1001T	0.0 ±0.30	APPROVE	DATE	
			0.00 ±0.20	SCALE	UNIT	mm
			0.000 ±0.08			