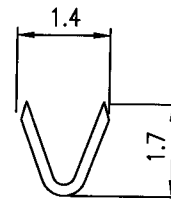
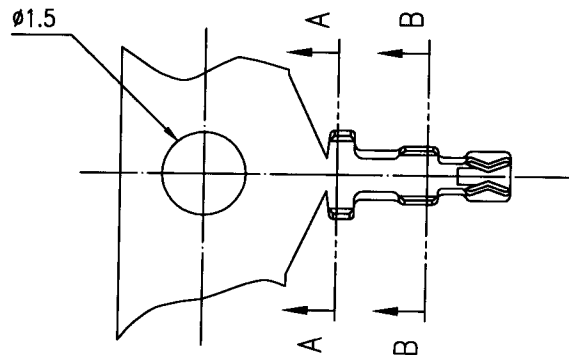
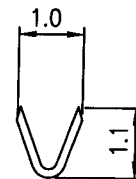
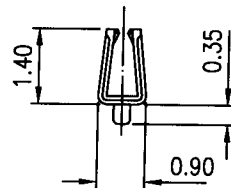
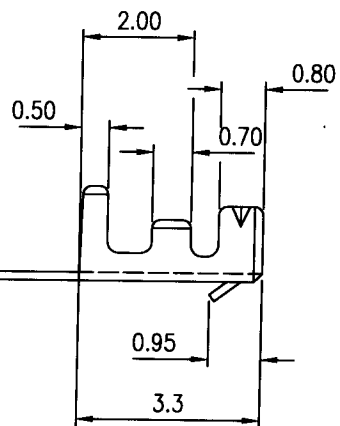


CT1251 Series 1.25mm Pitch Terminal



A-A SECTION



B-B SECTION

■ **TERMINAL**

- Part No: CT1251
- Material: Phos. bronze
- Thickness: 0.15mm
- Plating: Tin plated 60u"
- Wire Range: Suitable for AWG#28~32
- Insulation O.D: 1.00mm (max)
- Q'TY: 10,000 pcs/roll
- Accepts housing : CH1251