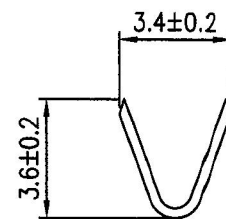
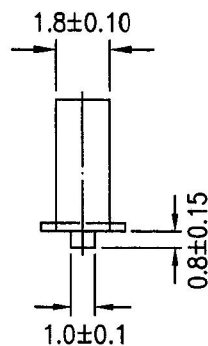
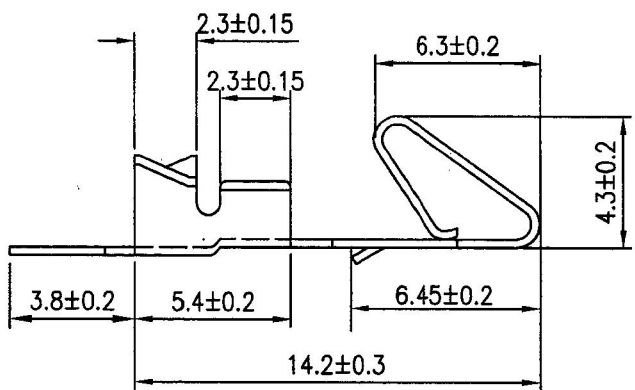
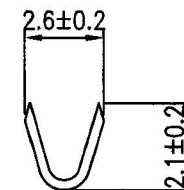


■ **TERMINAL**

- Part No: CT393T
- Material: Brass
- Thickness: 0.25mm
- Plating: Tin plated
- Wire Range: Suitable for AWG#18~26
- Insulation O.D: 2.5mm (max)
- Q'TY: 6,000 pcs/roll
- Accepts housing : CH392-XX, CH393-XX
CH5080-XX



A-A SECTION



B-B SECTION

詮盛企業股份有限公司 CHIEN SHERN ENTERPRISE CO.,LTD.	TITLE	3.96mm Pitch Crimp Terminal	GENERAL TOLERANCE	DRAWN	許建華	DATE	2005.11.02		
	PART NO.	CT393T	DIM: X. ±0.5 X.X ±0.25 X.XX ±0.2	CHECK		DATE			
	DWG.NO.	CT393T		APPROVE		DATE			
				SCALE		UNIT	mm	REV.	01