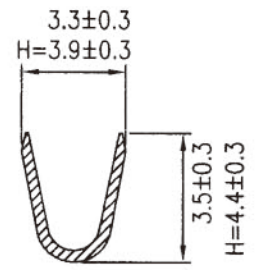
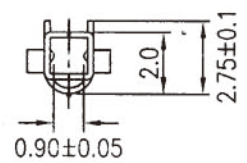
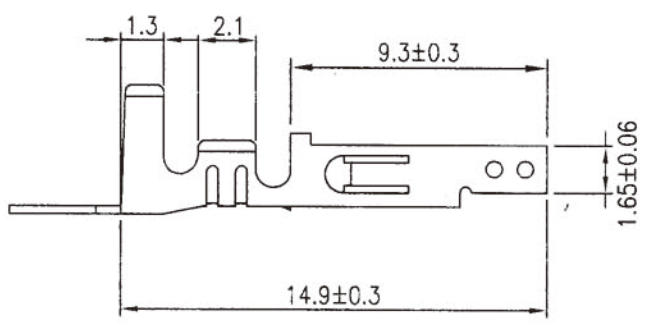
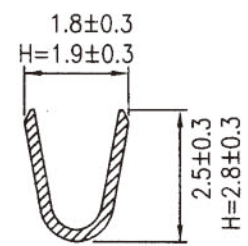


NOTES :

- Part No: CT4201T, & CT4201HT
- Material: Brass Tin plated
- Thickness: 0.2mm
- Plating: Tin plated
- Wire Range: Suitable for
 CT4201T=AWG#18~22
 CT4201HT=AWG#16~18
- Insulation O.D: 2.8mm(max)
- Q'TY: 5,000 pcs/roll
- Accepts housing : CH4201-2xXX, CH4204-XX
 CH4257-XX Series Housing



A-A SECTION



B-B SECTION

詮盛企業股份有限公司 CHIEN SHERN ENTERPRISE CO.,LTD.	TITLE	4.20mm Pitch Female Crimp Terminal	TOLERANCE	DRAWN	DATE	2014.01.06
	PART NO.	CT4201T	DIM.	CHECK	DATE	
	DWG.NO.	CT4201T	0.0 ±0.30	APPROVE	DATE	
			0.00 ±0.20	SCALE	UNIT	mm
			0.000 ±0.08			