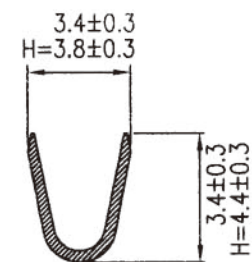
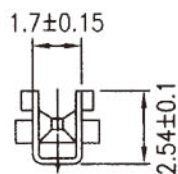
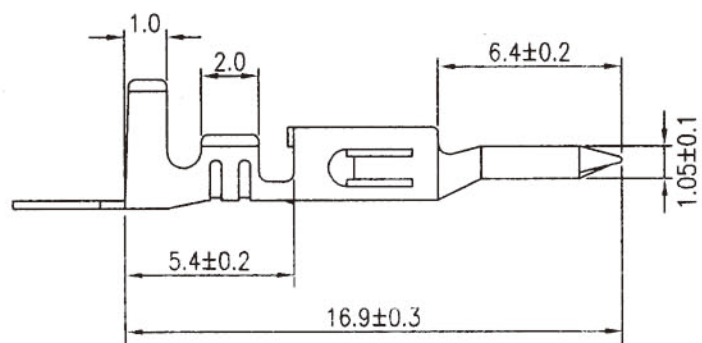
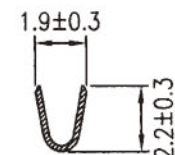


NOTES :

- Part No:CT4202T & CT4202HT
- Material: Brass Tin plated
- Thickness: 0.2mm
- Plating: Tin plated
- Wire Range: Suitable for  
     CT4202T= AWG#18~22  
     CT4202HT= AWG#16~18
- Insulation O.D: 3.0mm(max)
- Q'TY: 5,000 pcs/roll
- Accepts housing : CH4202-2xXX, CH4259-XX



A-A SECTION



B-B SECTION

詮盛企業股份有限公司 CHIEN SHERN ENTERPRISE CO.,LTD.	TITLE	4.20mm Pitch male Crimp Terminal	TOLERANCE	DRAWN	DATE	2005.11.02
	PART NO.	CT4202T	DIM.	CHECK	DATE	
	DWG.NO.	CT4202T	0.0 ±0.30	APPROVE	DATE	
			0.00 ±0.20	SCALE	UNIT	mm
			0.000 ±0.08			