

.156"(3.96mm) pitch Wire to Board Connectors

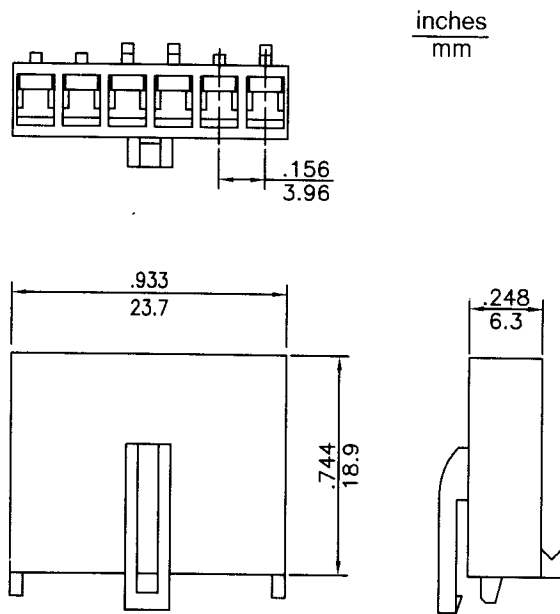


CH392-06 Series

- * Poles:6
- * Material:NYLON 66 UL94V-2 White
- * Suitable CT393T series terminal
- * Mates with CW392X-06,12 series wafer

Specifications

- * Current rating: 7A AC, DC
- * Voltage rating: 250V AC, DC
- * Temperature range: -25°C~+85°C
- * Insulation resistance: 1,000MΩ min.
- * Withstand voltage: 1500V AC/minute



.156"(3.96mm) pitch single row wafer

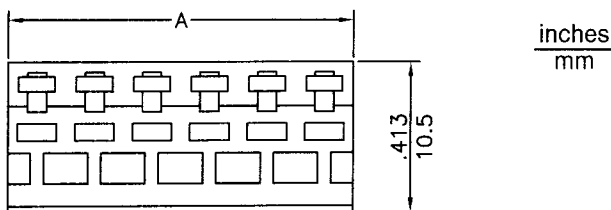
CW392 Series

- * Poles:6 , 12
 - * Material:NYLON 66 UL94V-2 White
 - * Contact:Brass, Tin plated
 - * Mates with CH392-06 series housing
- ### Specifications
- * Current rating: 7A AC, DC
 - * Voltage rating: 250V AC, DC
 - * Temperature range: -25°C~+85°C
 - * Insulation resistance: 1,000MΩ min.
 - * Withstand voltage: 1500V AC/minute
 - * Applicable PC board thickness: .063" (1.6mm)

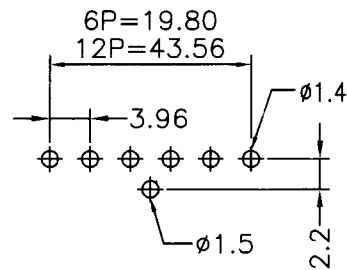
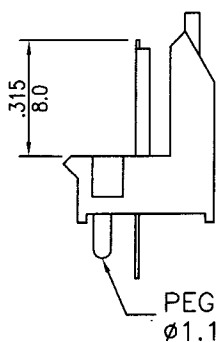
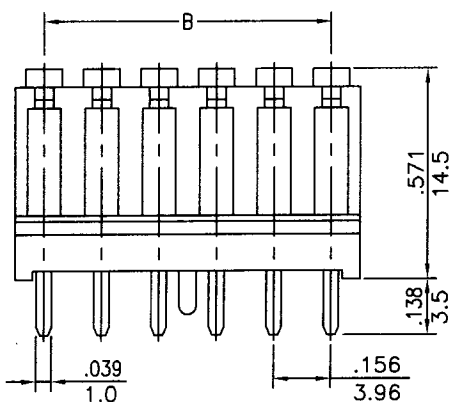
ORDERING CODE

CW392A - XX T
 1 2 3

- 1 SERIES NO. OPTION
 CW392-XX=WITHOUT PEG
 CW392A-XX=WITH PEG
- 2 NO.OF CONTACTS.
 06 , 12
- 3 CONTACT PLATED OPTION
 T=TIN OVER NICKEL (STANDARD)
 GF=GOLD FLASH



CIRCUITS	DIM.A in.(mm)	DIM.B in.(mm)
6	0.937(23.8)	0.780(19.8)
12	1.870(47.5)	1.715(43.56)



P.C.B. LAYOUT