

.156"(3.96mm) Pitch Pin Headers



CW3961 Series

- * 2~16 circuits available
- * Nylon 66 UL 94V-2
- * .045"(1.14mm) square pin
- * Tin plated brass pins. Plating
- * Mate with CH393-XX series housings

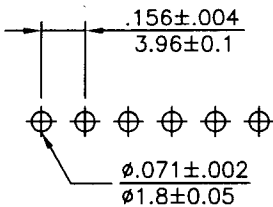
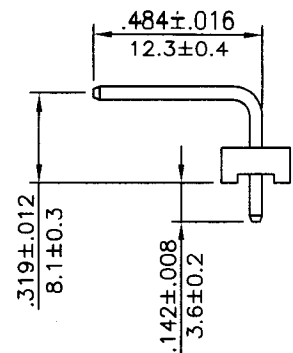
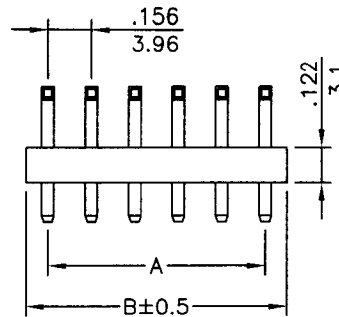
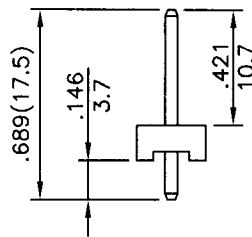
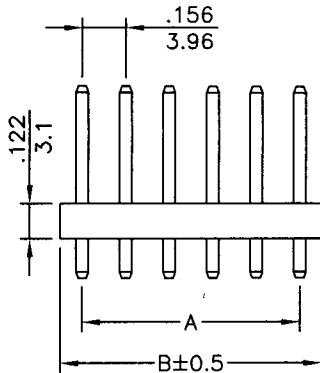
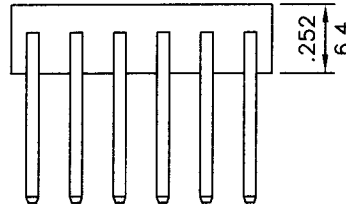
SPECIFICATIONS

- * Current rating: 5A AC, DC
- * Voltage rating: 250V AC, DC
- * Temperature range: -25°C~+85°C
- * Insulation resistance: 1,000MΩ min max.
- * Applicable PC board thickness: .063"(1.6mm)

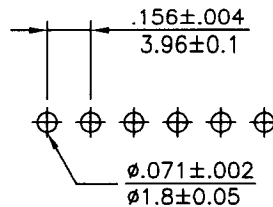
inches
mm

P/N: CW3961S-XX

P/N: CW3961R-XX



P.C Board Layout



P.C Board Layout

CIRCUITS	PART NO.	DIMENSION in.(mm)		CIRCUITS	PART NO.	DIMENSION in.(mm)	
		A	B			A	B
2	CW3961X-2	0.156(3.96)	0.315(8.0)	10	CW3961X-10	1.403(35.64)	1.571(39.9)
3	CW3961X-3	0.312(7.92)	0.472(12.0)	11	CW3961X-11	1.559(39.60)	1.728(43.9)
4	CW3961X-4	0.468(11.88)	0.626(15.9)	12	CW3961X-12	1.715(43.56)	1.882(47.8)
5	CW3961X-5	0.624(15.84)	0.787(20.0)	13	CW3961X-13	1.871(47.52)	2.039(51.8)
6	CW3961X-6	0.780(19.80)	0.945(24.0)	14	CW3961X-14	2.027(51.48)	2.193(55.7)
7	CW3961X-7	0.935(23.76)	1.098(27.9)	15	CW3961X-15	2.183(55.44)	2.354(59.8)
8	CW3961X-8	1.091(27.72)	1.256(31.9)	16	CW3961X-16	2.339(59.40)	2.500(63.8)
9	CW3961X-9	1.247(31.68)	1.409(35.8)				